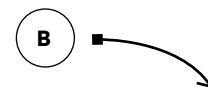
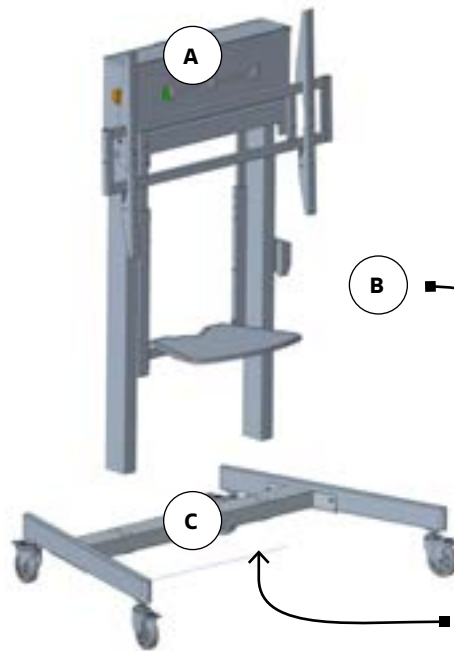
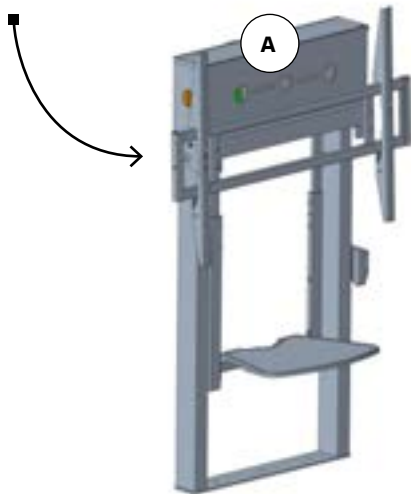


LET'S GET SPECIFIC!

A - Wallom 4 Wall



B. Wallom 4 Mobile lift
A + C = B (package)



C - Base set for
Wallom 4 Mobile

Modular, flexible and easy to manoeuvre
lift solution for all your displays.

Product number

- **A. Wallom 4 Wall lift CW4-24** - Black (RAL 9005) **19180450**
- **B. Wallom 4 Mobile lift** (Modular lift package) **19180451**
 - A. Wallom 4 lift
 - C. Base set for Wallom 4 Mobile
- **C. Base set for Wallom 4 Mobile CW4-24** **19080402**
accessory - Black (RAL 9005)

Lift system

- Height adjustable: Electric motorised lift
- Lift range: 675 mm (from 925 → 1600 mm)
- Lift speed: up to 38 mm/s
- Max. weight: 120 kg
- Strength tested: to 480kg - 4 times max. weight
- Impact protection: Yes
- Overheating protection will be activated automatically after 2 minutes of continuous movement
- Mains voltage: 240V AC, 50-60 Hz
(Euro plug standard, UK plug situational)

Control

- Handheld remote control: Up and down
- 2 programmable buttons to set personalised working heights
- Remote control holding box included

Display mounting

- Fits screen sizes: Holds one display sized 55" - 100"
- Large cable box with lock (LxWxD): 128x220x636mm
- Laptop tray (LxW): 434 x 336mm
- Anti-theft mechanism
- VESA dimensions slide between 200 - 800mm (W) and 200 - 600mm (H).

400 mm (W) x 400 mm (H)
 500 mm (W) x 400 mm (H)
 600 mm (W) x 400 mm (H)
 800 mm (W) x 400 mm (H)
 400 mm (W) x 500 mm (H)
 500 mm (W) x 500 mm (H)
 600 mm (W) x 500 mm (H)
 800 mm (W) x 500 mm (H)
 400 mm (W) x 600 mm (H)
 500 mm (W) x 600 mm (H)
 600 mm (W) x 600 mm (H)
 800 mm (W) x 600 mm (H)

Quality & Safety

- CE certified / UKCA
- FCC certified
- RoHS certified

Warranty

- 5 years warranty based on carry-in
(limited warranty on wheels)

Logistic A. Wallom 4 Wall lift

- Box size (mm): 1.070(L) x 380 (W) x 270 (D)
- Box netto weight 39.0 kg
- Box gross weight 43.5 kg
- EAN number - **A. Wallom 4 Wall lift** **8719481481964**

Logistic C. Base set for Wallom 4 Mobile

- Box size (mm): 1.095(L) x 345 (W) x 80 (D)
- Box netto weight 11.0 kg
- Box gross weight 13.5 kg
- EAN number - **C. Base set for Wallom 4 Mobile** **8719481481865**

About the Wallom 4 lift

The Wallom 4 is built using a high-quality, solid lift system with a linear actuator:

- Smooth lift system
- Robust design
- Lifetime lift (cycle up & down): 20.000 times
- Easily passes through narrow doors and paths (75cm)

About the Wallom 4 castors

CTOUCH knows that if you choose a mobile lift it should be easy to manoeuvre the unit. The swivel castors we use on the Wallom 4, all of which have a brake:

- Are made of high-quality steel
- 4 inch wheels turn & roll smoothly, almost soundless
- Are corrosion protected, for a long lifespan
- All 4 wheels have locking brakes

Wallom 4 Wall – display configurations

Important: ensure at least 10cm extra on all sides of the attached display for the entire lift travel distance.

	Bottom display in lowest position (mm)	Bottom display in highest position (mm)
NEO - 55 inch	531	1203
NEO - 65 inch	470	1143
NEO - 75 inch	409	1081
NEO - 86 inch	340	1012
Canvas - 55 inch	523	1195
Canvas - 65 inch	469	1140
Canvas - 75 inch	405	1077
Canvas - 86 inch	336	1008
RIVA - 55 inch	534	1206
RIVA - 65 inch	479	1151
RIVA - 75 inch	416	1088
RIVA - 86 inch	382	1054
RIVA D2 - 65 inch	483	1155
RIVA D2 - 75 inch	420	1091
RIVA D2 - 86 inch	350	1023
RIVA R2 - 55 inch	545	1217
RIVA R2 - 65 inch	483	1155
RIVA R2 - 75 inch	420	1091
RIVA R2 - 86 inch	350	1023

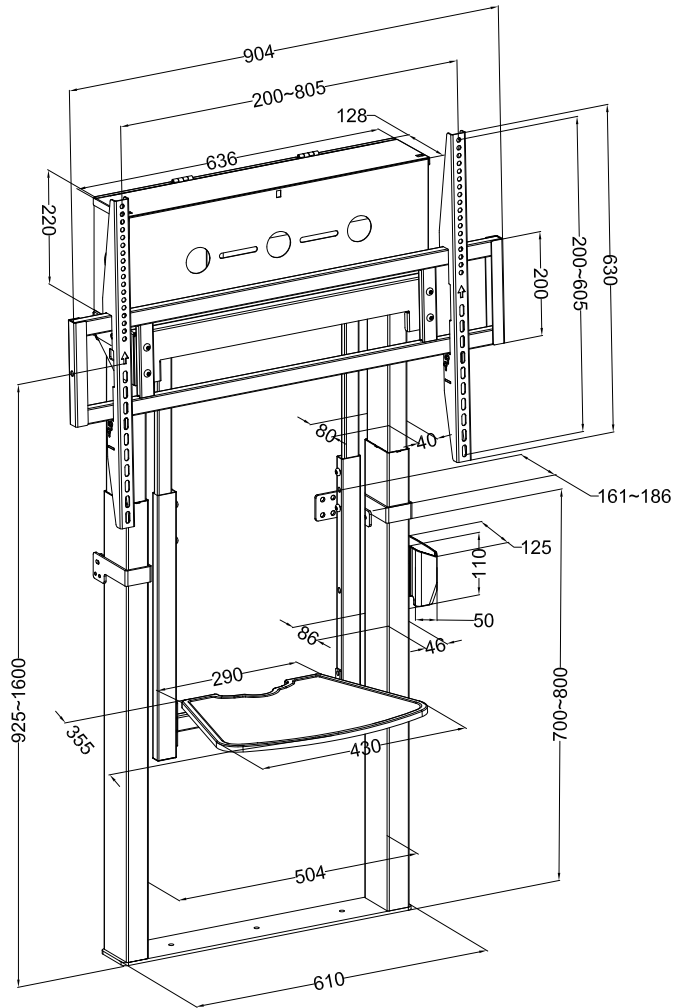
Wallom 4 Mobile – display configurations

Important: ensure at least 10cm extra on all sides of the attached display for the entire lift travel distance.

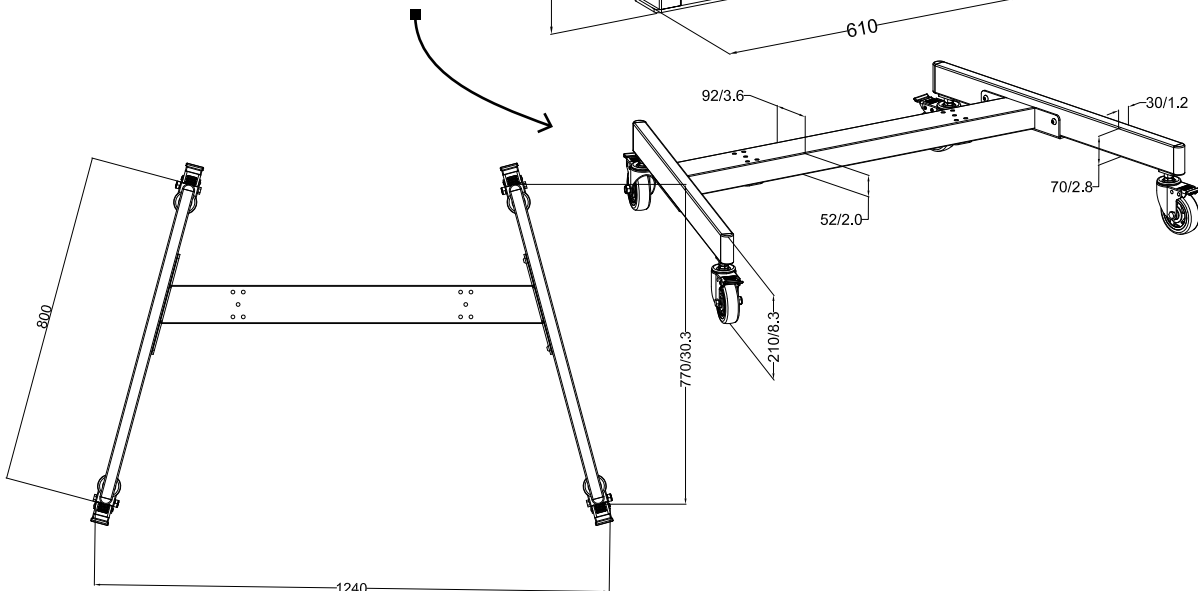
	Bottom display in lowest position (mm)	Bottom display in highest position (mm)
NEO - 55 inch	720	1392
NEO - 65 inch	659	1332
NEO - 75 inch	598	1270
NEO - 86 inch	529	1201
Canvas - 55 inch	712	1384
Canvas - 65 inch	658	1329
Canvas - 75 inch	594	1266
Canvas - 86 inch	525	1197
RIVA - 55 inch	723	1395
RIVA - 65 inch	668	1340
RIVA - 75 inch	605	1277
RIVA - 86 inch	571	1243
RIVA D2 - 65 inch	672	1344
RIVA D2 - 75 inch	609	1280
RIVA D2 - 86 inch	539	1212
RIVA R2 - 55 inch	734	1406
RIVA R2 - 65 inch	672	1344
RIVA R2 - 75 inch	609	1280
RIVA R2 - 86 inch	539	1212

Dimensions

A - Wallom 4 Wall CW4-24



C - Base set for Wallom 4 Mobile CW4-24



Check out www.ctouch.eu for more information.

All rights reserved. CTOUCH products and services mentioned herein as well as their respective logos are trademarks or registered trademarks of CTOUCH Europe B.V.. All other product and service names mentioned are the trademarks of their respective owners. All weights and dimensions are approximate. Product specifications are subject to change without prior notification.

Share, inspire, have fun!
With CTOUCH by your side.