

**LET'S GET
SPECIFIC!**

Do you also think it's a waste of energy that the screens are on all day, even when they're not being used? Or do you get tired of having to walk past each screen at the end of the day to make sure they're all turned off? With the Human Presence Detection module you don't have to do this anymore. The module makes use of infrared signal to detect any movement. The screen will automatically turn on when you enter the room. And off again when the room is empty for a certain amount of time and no movement is being detected. With the Human Presence Detection module you save energy and therefore money.

Product number

- Human Presence Detection module CTOUCH Riva: **10052492**

General

- Detection angle: <100 degree Cone Angle (see drawing)
- Power supply: USB (dedicated Human Presence Detection port)
- Working voltage: DC 5V ±0.5V
- Quiescent current: <50uA

Quality approvals

- Green approval: RoHS complaint, WEEE

Dimensions and weight

- Product dimensions (W x H x D): 77 x 41 x 17 mm

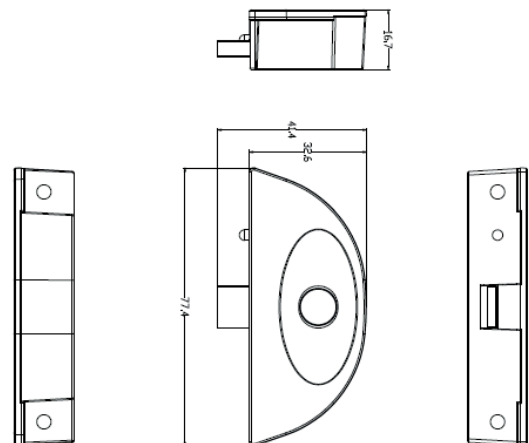
Product accessories included

- 2 screws, quick start guide

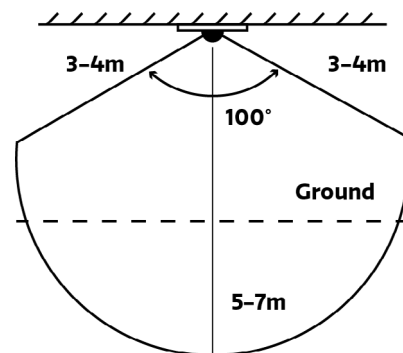
Logistics information

- Box size (W x H x D): 89 x 62 x 28 mm
- EAN no.:

8719481480707



Detection angle:



All rights reserved. CTOUCH products and services mentioned herein as well as their respective logos are trademarks or registered trademarks of CTOUCH Europe B.V.. All other product and service names mentioned are the trademarks of their respective owners. All weights and dimensions are approximate. Product specifications are subject to change without prior notification.