

**LET'S GET  
SPECIFIC!**

Do you want to prevent unauthorized use of your CTOUCH touchscreen? Or don't you want to enter your password in plain sight? We have developed the CTOUCH Fingerprint Scanner module for this purpose. Place your finger on the Fingerprint Scanner and you can unlock the screen. Or use your fingerprint to log in to your Windows account. This prevents unwanted users from accessing your files.

### Product number

- Fingerprint Scanner module CTOUCH: **10052491**

### General

- Active scanning area: 11.9 x 16.9 pixels
- Number of scans/lifetime: >2 million
- Image scan time: 0.53 sec.
- Supported OS: Android, Windows 7 and higher
- Power supply: USB (dedicated Finger Scanner port)
- Working voltage: DC 5V  $\pm$ 0.5V
- Quiescent current: <100uA

### Quality approvals

- Green approval: RoHS compliant, WEEE

### Dimensions and weight

- Product dimensions (W x H x D): 44 x 44 x 20 mm

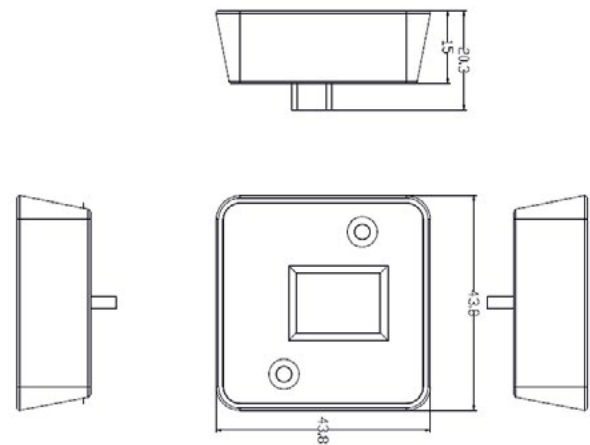
### Product accessories included

- 2 screws, quick start guide

### Logistics information

- Box size (W x H x D): 89 x 62 x 28 mm
- EAN no.:

**8719481480691**



All rights reserved. CTOUCH products and services mentioned herein as well as their respective logos are trademarks or registered trademarks of CTOUCH Europe B.V.. All other product and service names mentioned are the trademarks of their respective owners. All weights and dimensions are approximate. Product specifications are subject to change without prior notification.