

**LET'S GET
SPECIFIC!**

Do you want to prevent unauthorized use of your CTOUCH touchscreen? Or don't you want to enter your password in plain sight? With the NFC Reader module you can lock your screen for unwanted users. It's very safe and reliable. Just tap your NFC card on the NFC module and the screen is ready to go. Switching between classrooms and different touchscreens has never been easier.

Would you like to use the NFC reader module as an NFC card writer as well? Simply plug in the NFC Reader module in a Windows based device (Windows 7 or higher) and run the writer software to create the cards. The writer software can be downloaded from our help centre: support.ctouch.eu

Product number

- NFC Reader/Writer module CTOUCH: **10052490**

General

- Protocol: ISO14443A
- Supported cards: Mifare (1K/4K), DESFire
- Range: 00–60 mm
- Response time: <100 ms
- Rate: 9600–115200 bps
- Frequency: 13.56 MHz
- Supported OS: Android, Windows 7 and higher
- Power supply: USB (dedicated NFC reader port)
- Working voltage: 5V
- Current: 60mA

Quality approvals

- Green approval: RoHS complaint, WEEE

Dimensions and weight

- Product dimensions (W x H x D): 98 x 44 x 24 mm

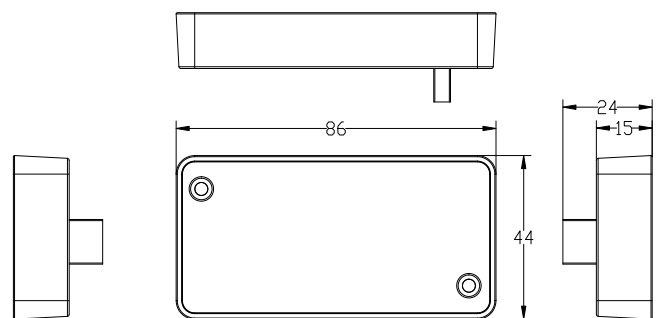
Product accessories included

- 2 screws, quick start guide

Logistics information

- Box size (W x H x D): 89 x 62 x 28 mm
- EAN no.:

8719481480684



All rights reserved. CTOUCH products and services mentioned herein as well as their respective logos are trademarks or registered trademarks of CTOUCH Europe B.V.. All other product and service names mentioned are the trademarks of their respective owners. All weights and dimensions are approximate. Product specifications are subject to change without prior notification.